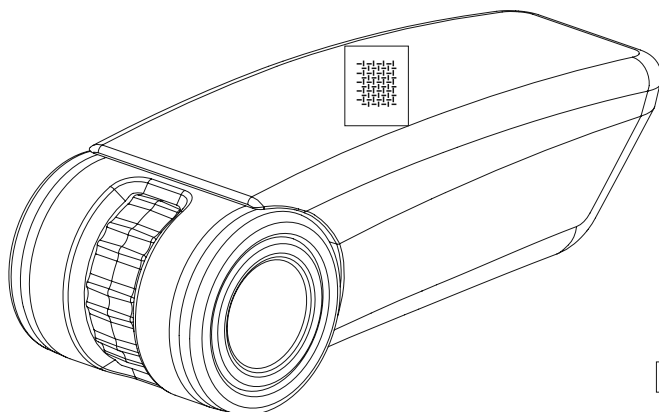
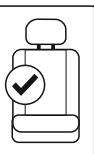
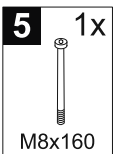
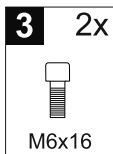
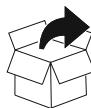
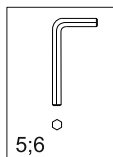
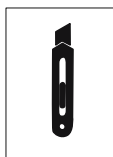
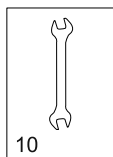
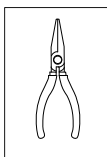
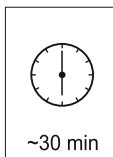




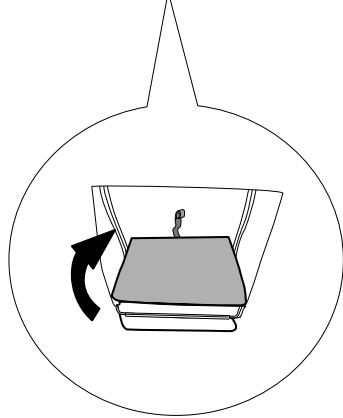
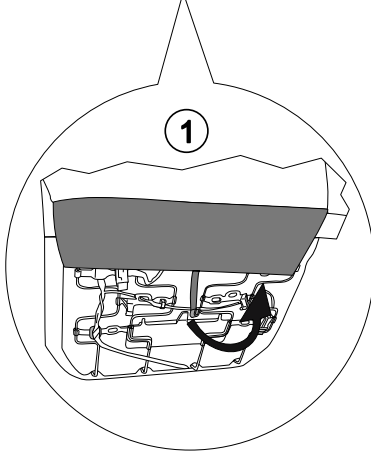
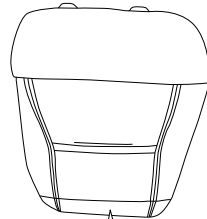
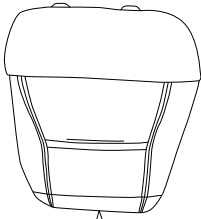
HYUNDAI i20 2020- / BAYON 2021- (WITHOUT original elbowrest)



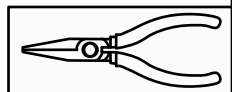
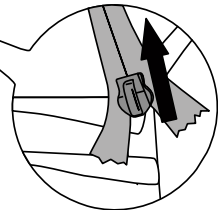
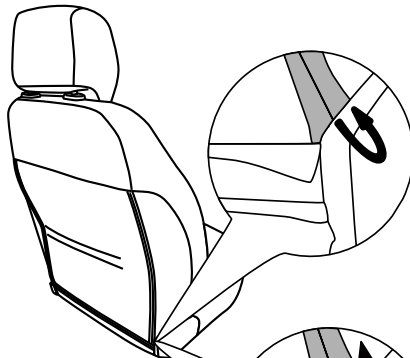
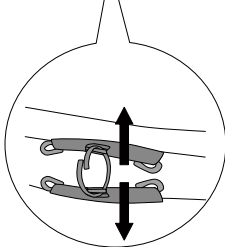
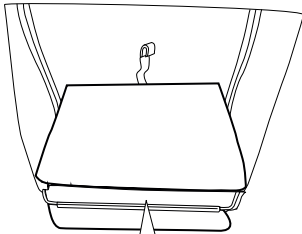
easy
medium
difficult

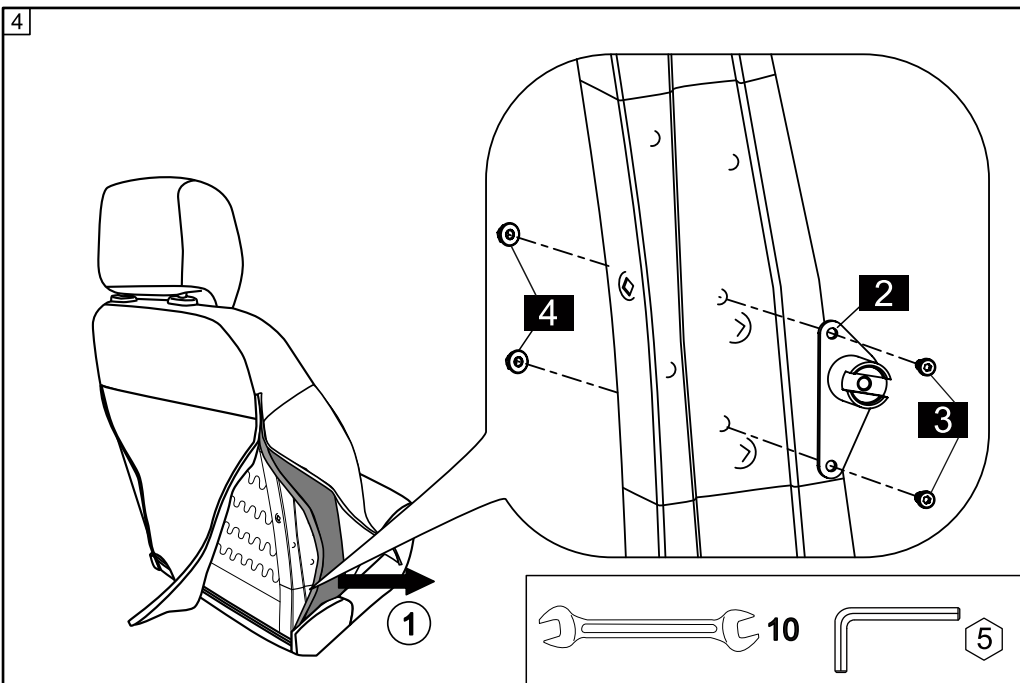
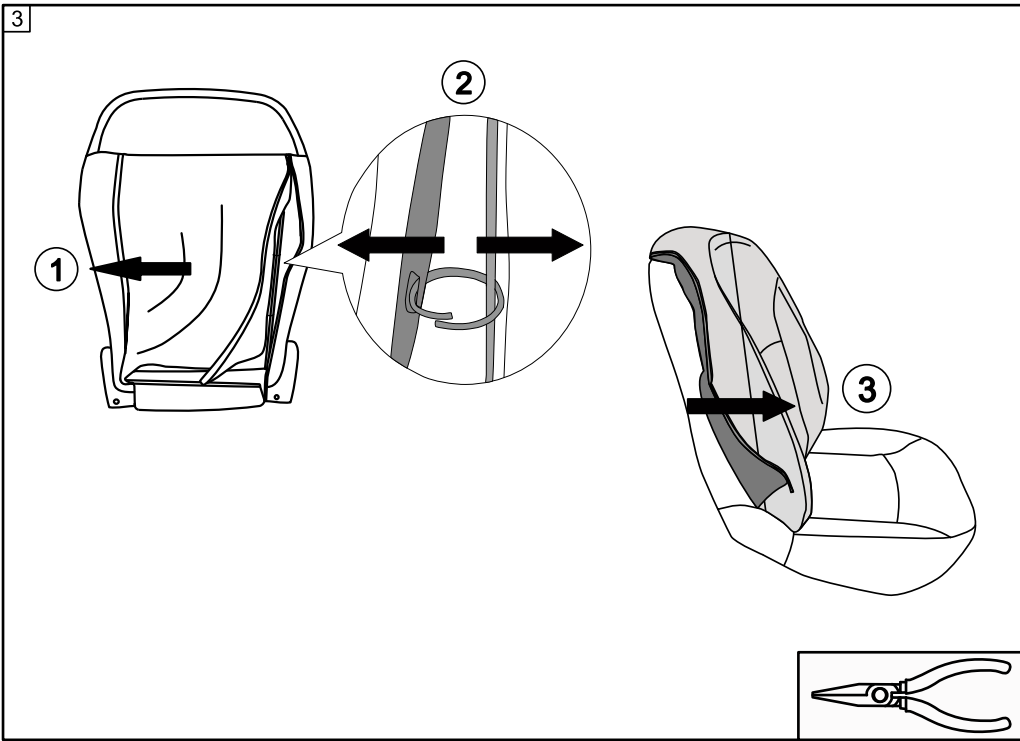


1

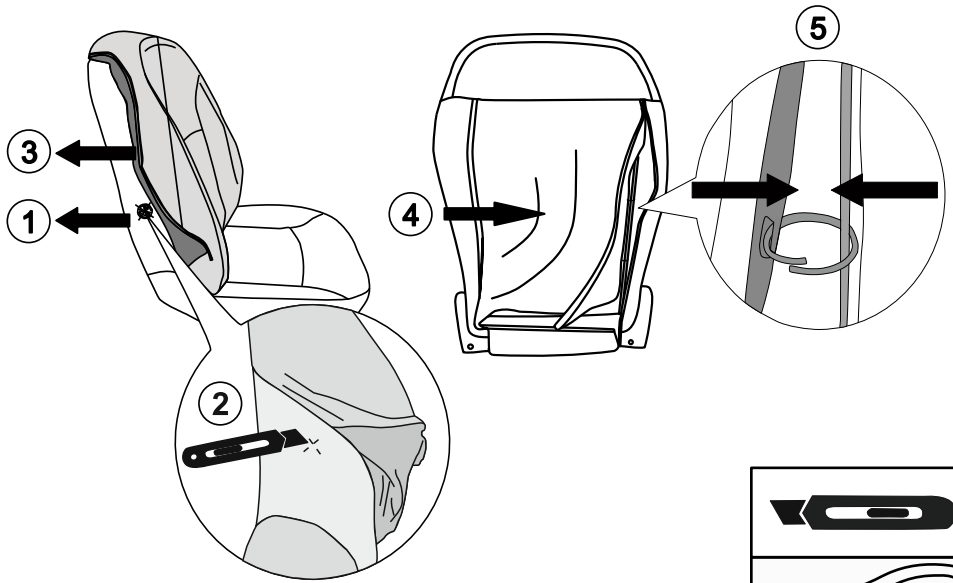


2

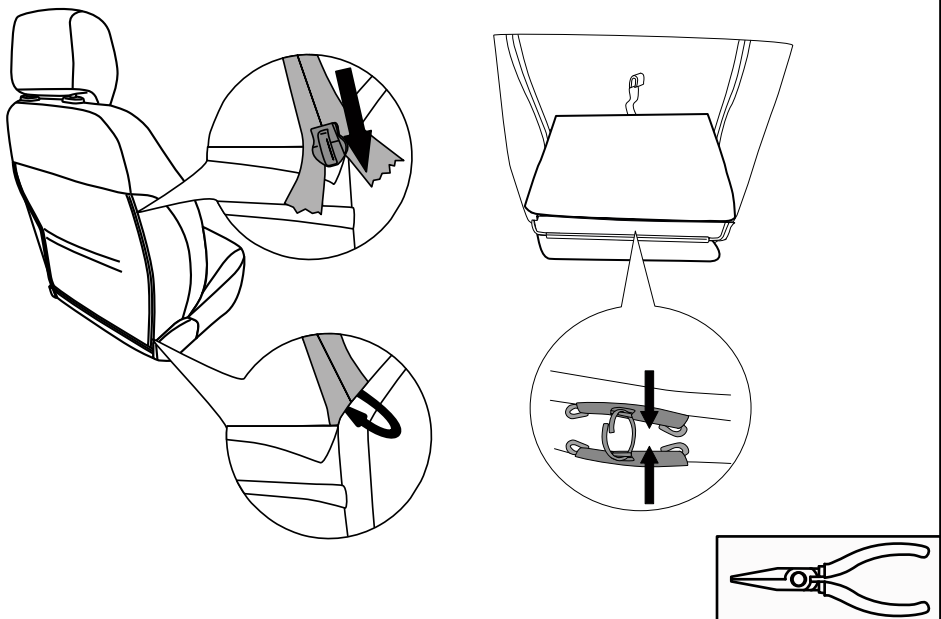




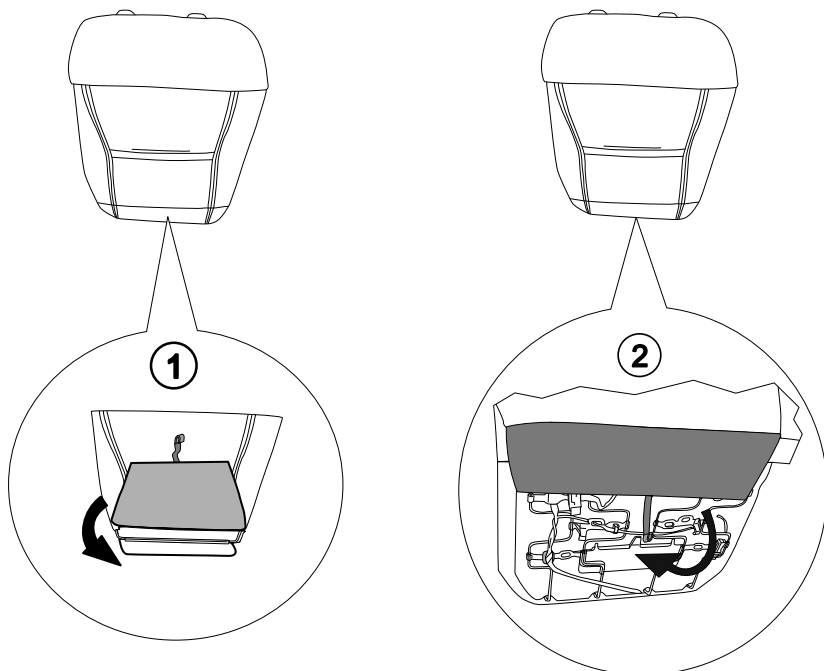
5



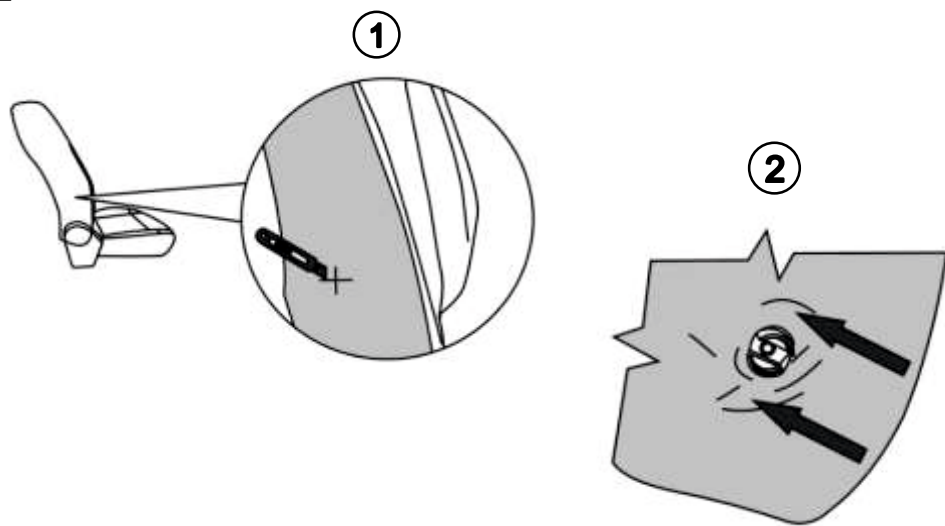
6



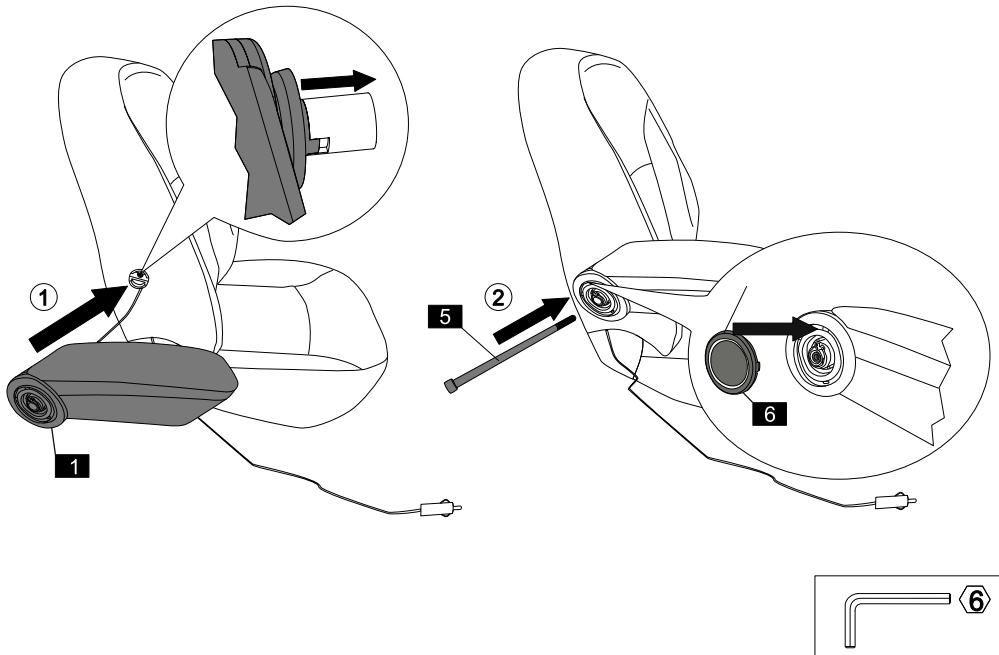
7



8



9



10

