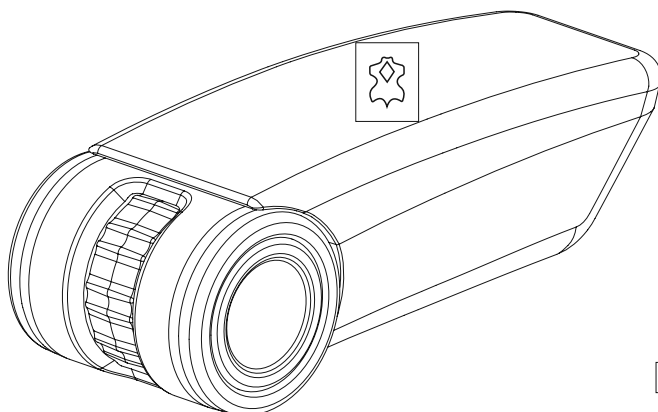
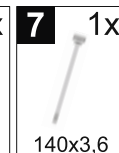
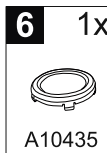
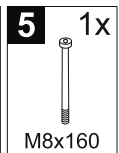
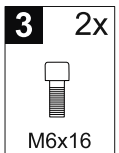
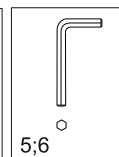
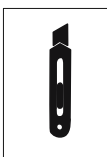
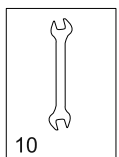
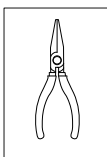
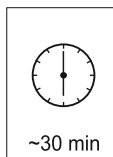


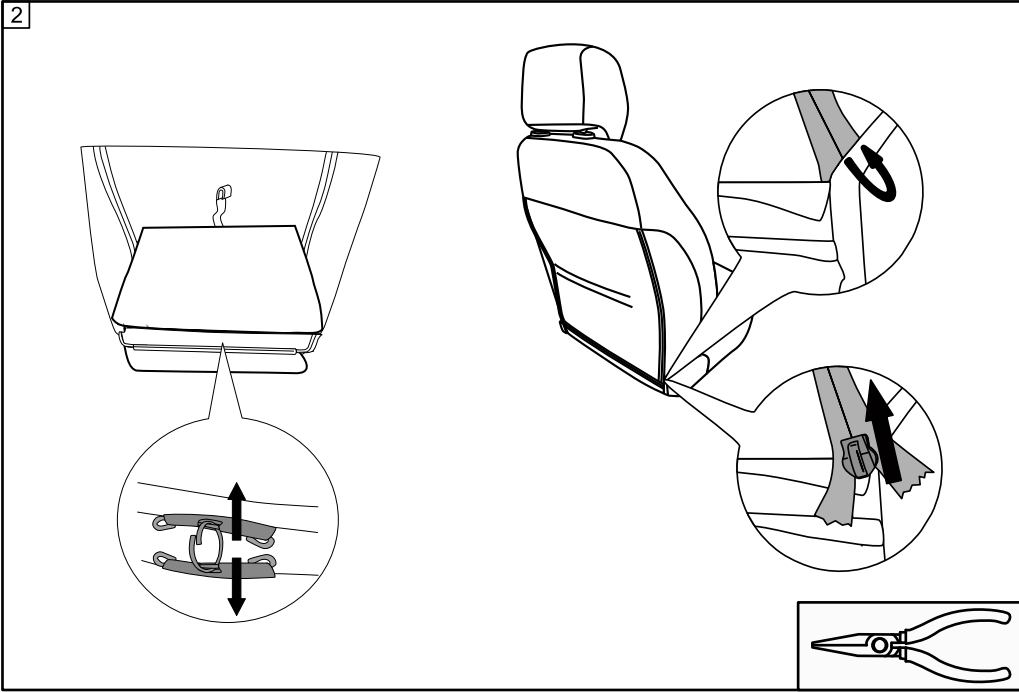
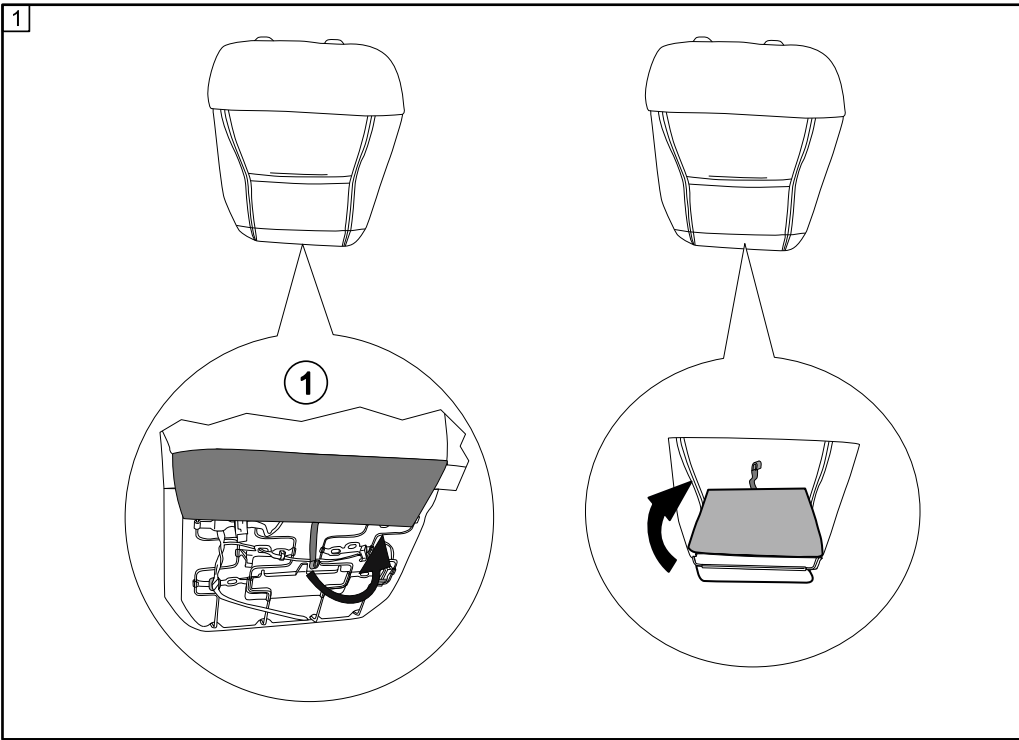


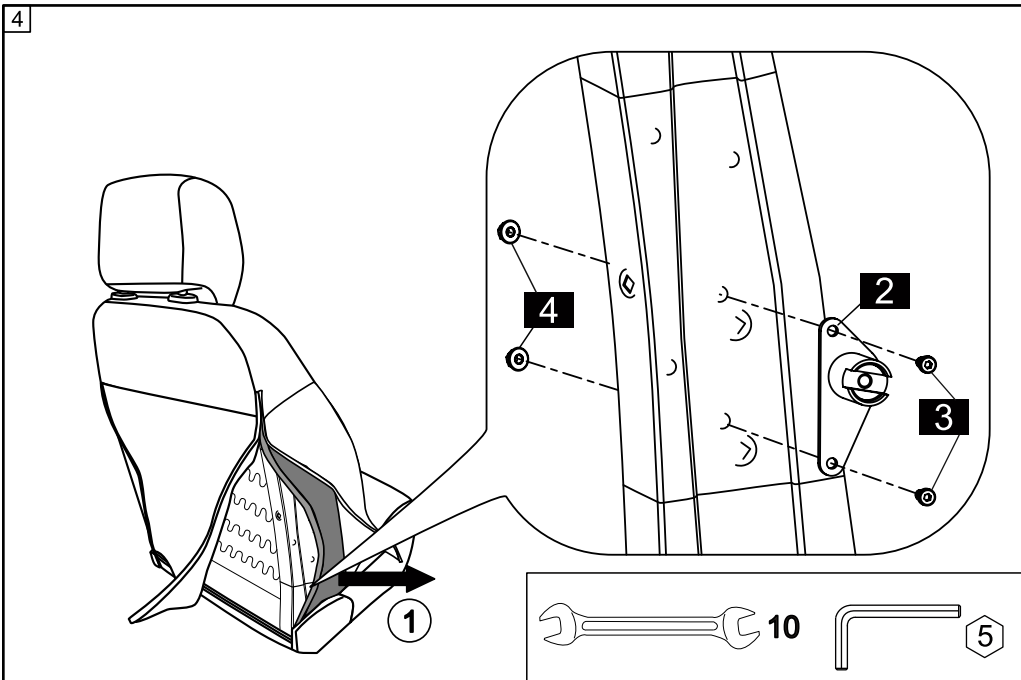
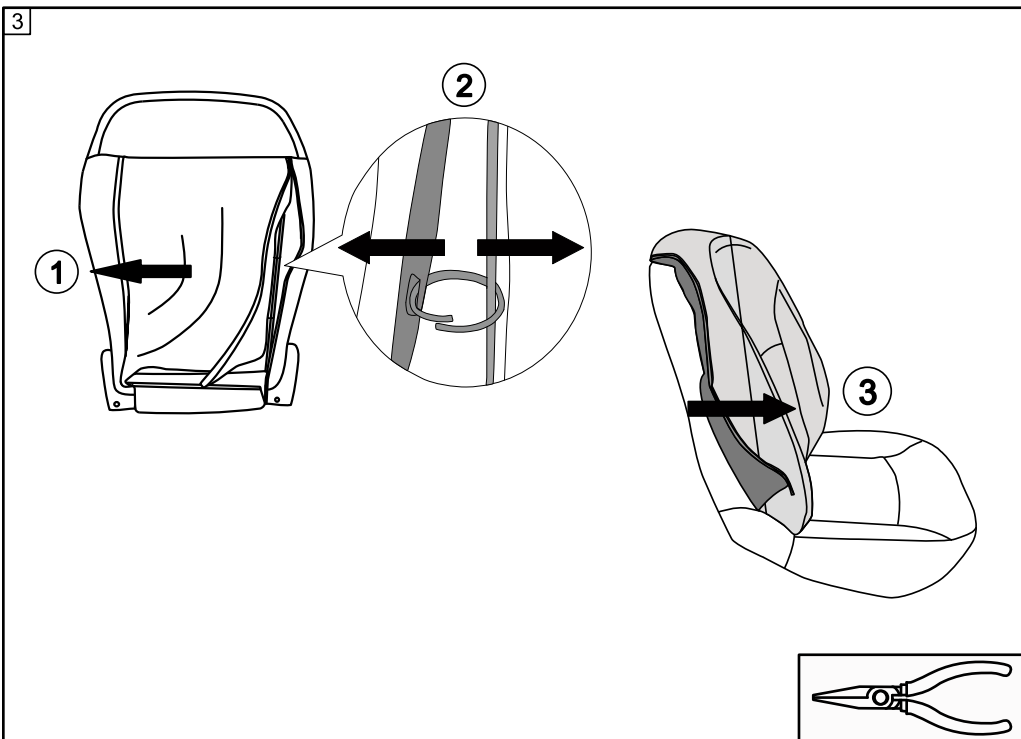
HYUNDAI i20 2020- / BAYON 2021- (WITHOUT original elbowrest)



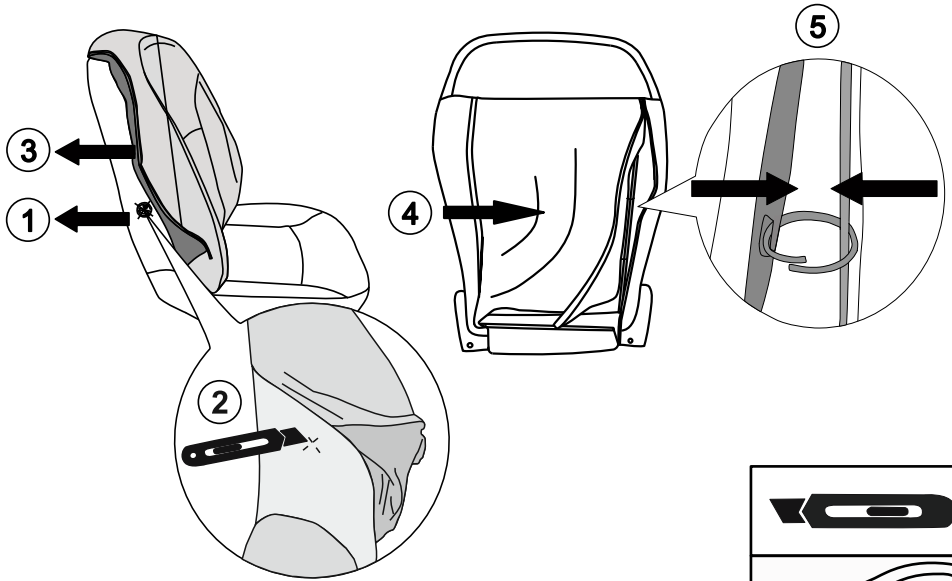
easy
medium
difficult



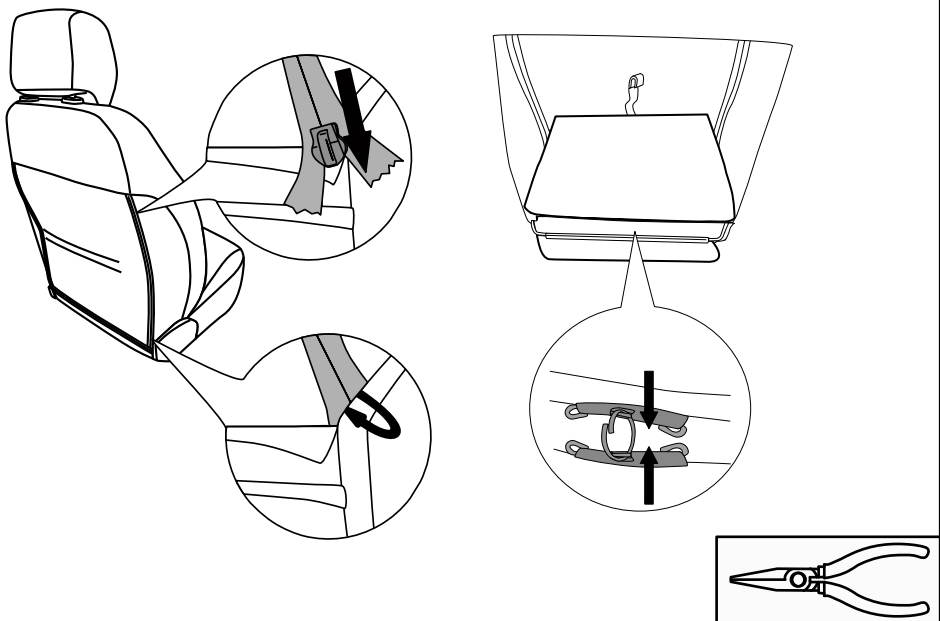




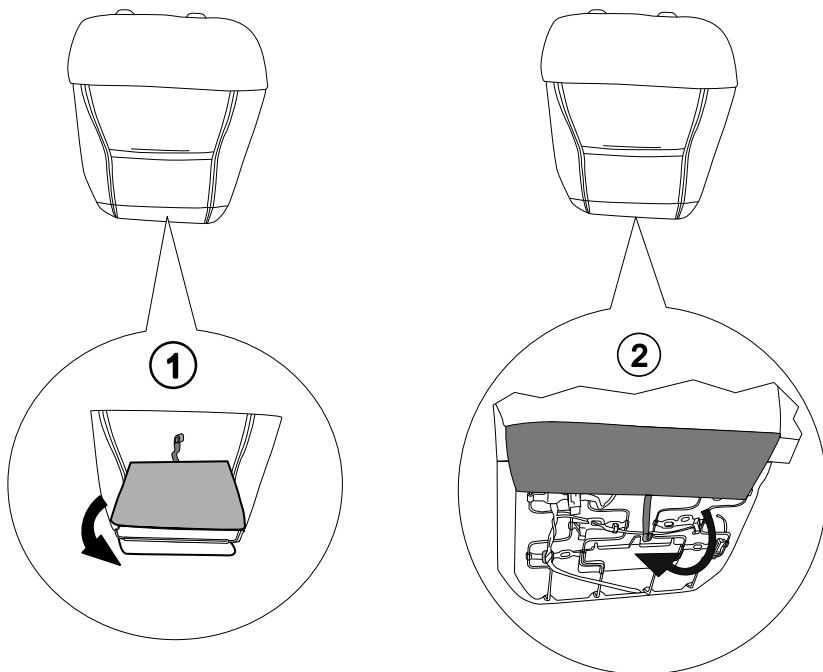
5



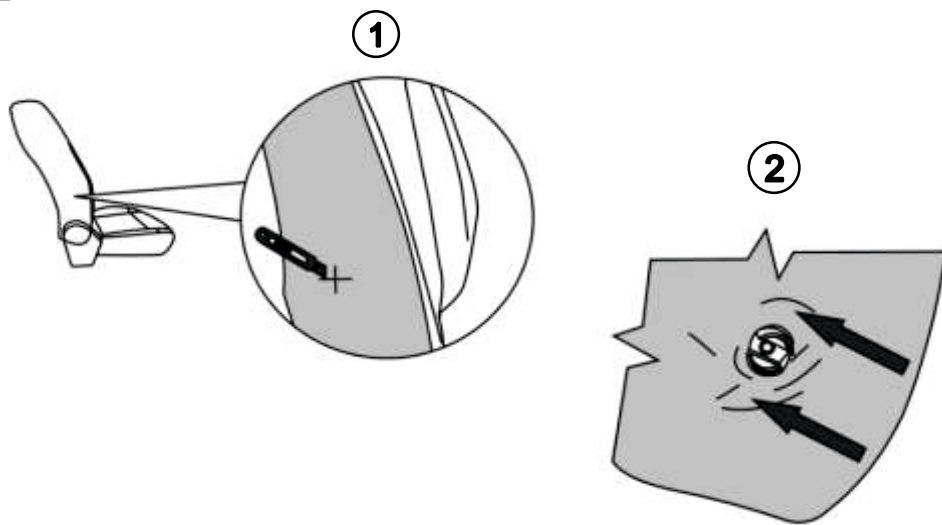
6



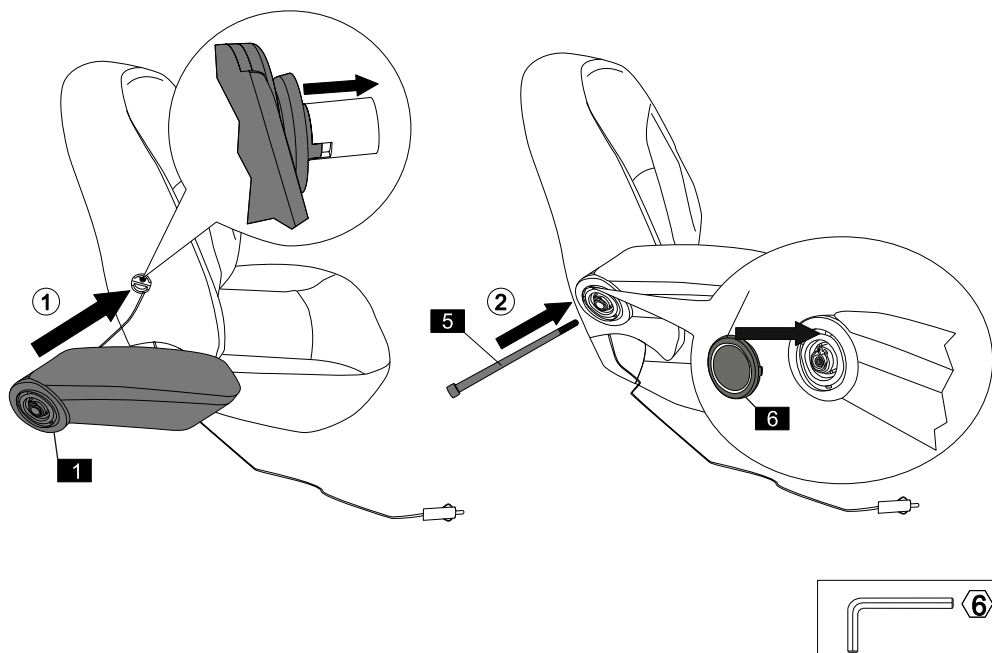
7



8



9



10

