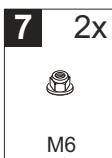
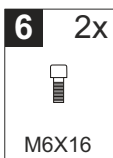
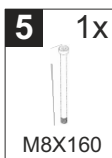
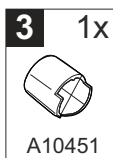
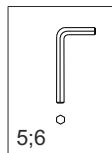
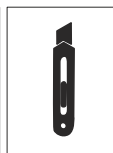
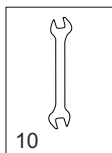
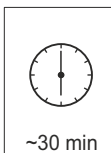
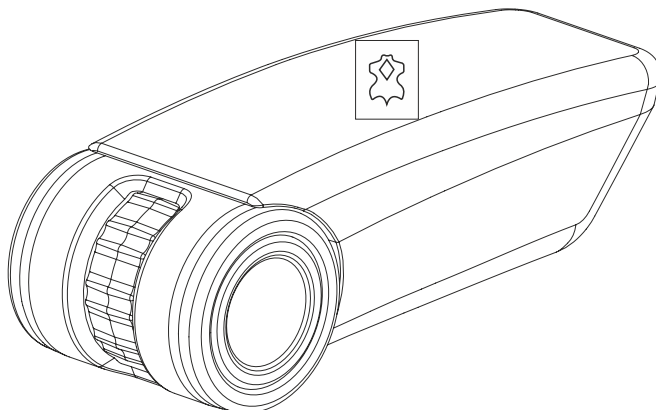
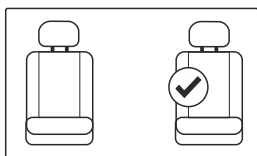
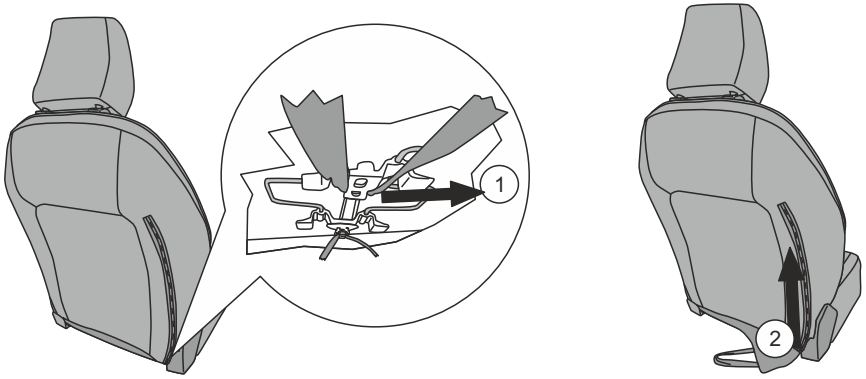




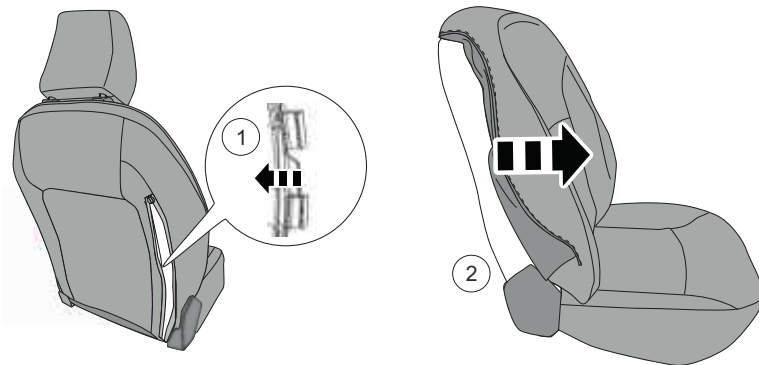
FORD FIESTA/FOCUS (2017), ECOSPORT/Ka+ (2018), PUMA (2019) LHD (WITHOUT original elbowrest)



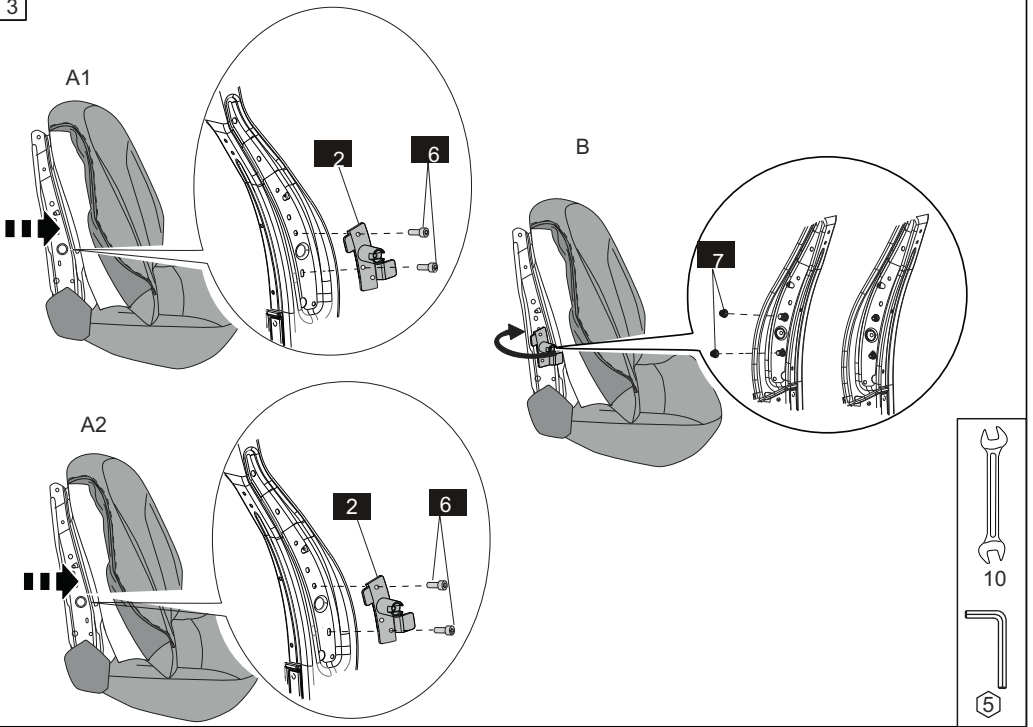
1



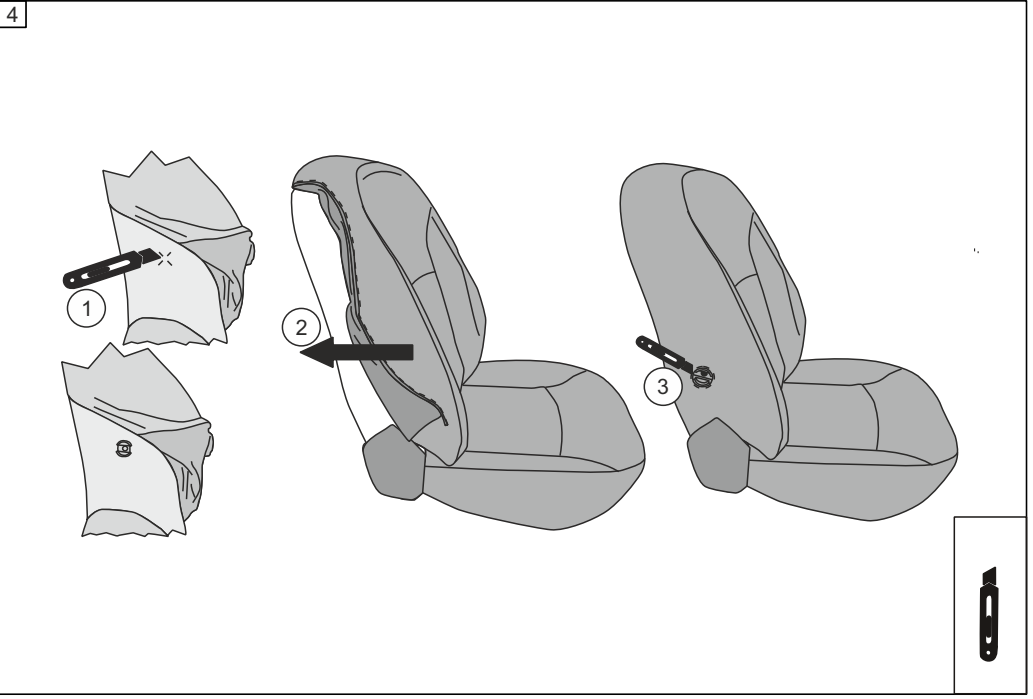
2



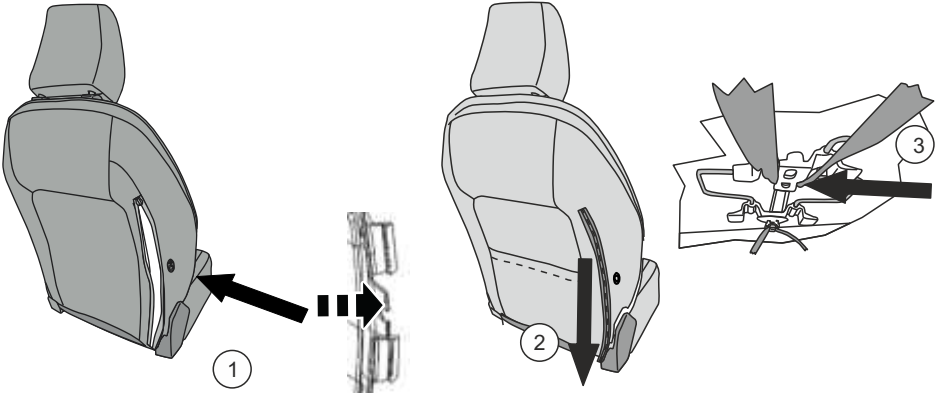
3



4



5



6

