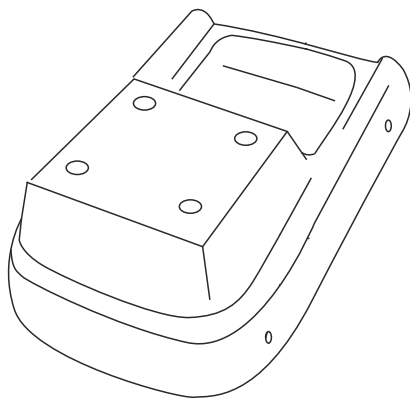




HONDA JAZZ 2008-2015



A



armster **S**

B



armster **2**

C



armster **3**

V01676



4x



St 4,8x16

1x



00185

rati | armster adapter

